



# Heavy duty breather

Designed to protect hydraulic reservoirs under severe conditions.

aerospace  
climate control  
electromechanical  
filtration  
fluid & gas handling  
hydraulics  
pneumatics  
process control  
sealing & shielding



ENGINEERING YOUR SUCCESS.

# A breather designed to protect hydraulic reservoirs under severe conditions

Parker's Heavy Duty Breather is designed for mobile and industrial equipment intended to operate in heavy duty circumstances. With more stringent demands related to the cleanliness level of hydraulic systems, the HDB provides high quality filtration to prevent small particles entering the reservoir through the vent port.

Where typically plastic breather housings can fail, the robust metal housing of the HDB contributes to the breathers functionality and product life expectancy.

To maintain a positive pressure in the hydraulic reservoir, the HDB is supplied with a pressurization valve. For servicing purposes the HDB can be supplied with a manual override valve, this allows the operator to relieve the reservoir pressure before opening the tank for service or inspection.

## Parker Advantages:

- Robust metal breather housing protects the filtration function under severe circumstances
- Integrated pressurization valve
- Integrated override valve to relieve pressure during service and inspection maintenance
- Quick & Easy upgrade of existing breathers due to the threaded connection to the reservoir
- A wide variety of filter materials including water resistant media



## Specification

### Air breather

Robust air breather housing including a replaceable high quality filter media element.

### Flow direction

For out to in application

### Connections

Threaded connections for direct mounting with the reservoir (See Ordering Information).

### Maximum operating pressure

Not applicable

### Seal material

Nitrile

### Operating temperature

-40 °C to +120 °C

### Housing material

Zinc coated steel

### Weight

0,5 kg

### Nominal flow

500 l/min (max 900 l/min)

### Pressurization valve

0,34 bar or 0,7 bar

### Filter media

Glassfibre rating 1 micron

Polyester rating 2 micron

Water resistant media (type C015) 1.5 micron

### Fluid compatibility

Hydraulic mineral oils H to Class HLPD (DIN51524)

Operating fluids DIN ISO 2943

Lubrication fluids ISO6743, APJ, DIN 51517, ACEA, ASTM

Vegetable oils

Non-aggressive synthetic oils

Non-aggressive bio-degradable oils (HETG, HEPG and HEES to VDMA 24568)

# Installation and Ordering Information

Table 1  Table 2  Table 3  Table 4  Table 5  Table 6  Table 7  Table 8

Table 1

Breather type	
Model	Code
Heavy duty breather	<b>HDB</b>

Table 2

Breather size	
Length	Code
Lenght 1	<b>1</b>

Table 3

Breather Media	
Media	Code
1 µ abs glassfibre	<b>Q010</b>
2 µ abs. Polyester	<b>P020</b>
1.5 µ abs. Water resistant	<b>C015</b>

Table 4

Seals	
Material	Code
Nitrile	<b>B</b>

Table 5

Vacuum valve	
Relief Setting	Code
0.03 bar setting	<b>V4</b>

Table 6

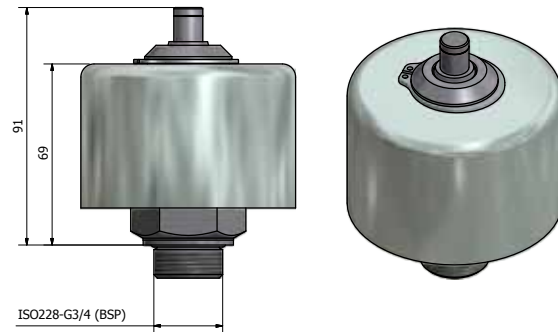
Pressure valve	
Relief Setting	Code
0.34 bar	<b>A</b>
0.7 bar	<b>B</b>

Table 8

Options	
Details	Code
No override valve	0
Manuel override valve	<b>1</b>

Table 7

Connections	
Details	Code
3/8" BSP	G06
1/2" BSP	G08
3/4" BSP	<b>G12</b>
1" BSP	G16
3/8" SAE	S06
1/2" SAE	S08
3/4" SAE	S12
1" SAE	S16

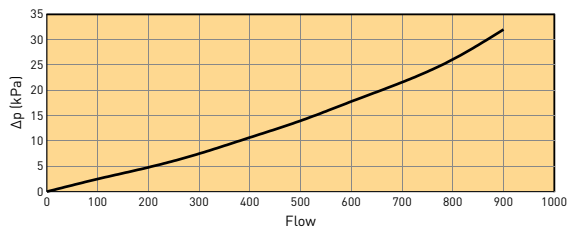


Dimensions are in mm

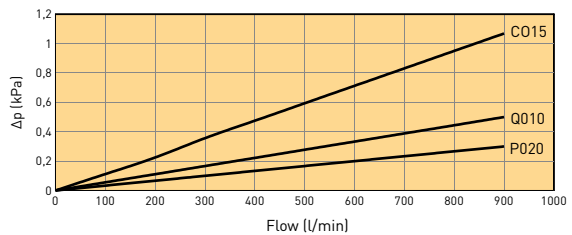
Replacement elements	
Product size and filter media	Code
HDB size 1 C015 media	944691Q
HDB size 1 P020 media	944692Q
HDB size 1 Q010 media	944693Q

Please note that the options shown in bold are standard options with reduced lead-time. Other options are on request.

Pressure relief valve flow data



Element flow data



\* Pressure drop is pressure relief valve crack pressure until pressure drop curve increases above pressure relief crack pressure.

# Parker Worldwide

## Europe, Middle East, Africa

**AE – United Arab Emirates,** Dubai

Tel: +971 4 8127100  
parker.me@parker.com

**AT – Austria,** Wiener Neustadt

Tel: +43 (0)2622 23501-0  
parker.austria@parker.com

**AT – Eastern Europe,** Wiener Neustadt

Tel: +43 (0)2622 23501 900  
parker.easteurope@parker.com

**AZ – Azerbaijan,** Baku

Tel: +994 50 2233 458  
parker.azerbaijan@parker.com

**BE/LU – Belgium,** Nivelles

Tel: +32 (0)67 280 900  
parker.belgium@parker.com

**BY – Belarus,** Minsk

Tel: +375 17 209 9399  
parker.belarus@parker.com

**CH – Switzerland,** Etoy

Tel: +41 (0)21 821 87 00  
parker.switzerland@parker.com

**CZ – Czech Republic,** Klecany

Tel: +420 284 083 111  
parker.czechrepublic@parker.com

**DE – Germany,** Kaarst

Tel: +49 (0)2131 4016 0  
parker.germany@parker.com

**DK – Denmark,** Ballerup

Tel: +45 43 56 04 00  
parker.denmark@parker.com

**ES – Spain,** Madrid

Tel: +34 902 330 001  
parker.spain@parker.com

**FI – Finland,** Vantaa

Tel: +358 (0)20 753 2500  
parker.finland@parker.com

**FR – France,** Contamine s/Arve

Tel: +33 (0)4 50 25 80 25  
parker.france@parker.com

**GR – Greece,** Athens

Tel: +30 210 933 6450  
parker.greece@parker.com

**HU – Hungary,** Budapest

Tel: +36 1 220 4155  
parker.hungary@parker.com

**IE – Ireland,** Dublin

Tel: +353 (0)1 466 6370  
parker.ireland@parker.com

**IT – Italy,** Corsico (MI)

Tel: +39 02 45 19 21  
parker.italy@parker.com

**KZ – Kazakhstan,** Almaty

Tel: +7 7272 505 800  
parker.easteurope@parker.com

**NL – The Netherlands,** Oldenzaal

Tel: +31 (0)541 585 000  
parker.nl@parker.com

**NO – Norway,** Asker

Tel: +47 66 75 34 00  
parker.norway@parker.com

**PL – Poland,** Warsaw

Tel: +48 (0)22 573 24 00  
parker.poland@parker.com

**PT – Portugal,** Leca da Palmeira

Tel: +351 22 999 7360  
parker.portugal@parker.com

**RO – Romania,** Bucharest

Tel: +40 21 252 1382  
parker.romania@parker.com

**RU – Russia,** Moscow

Tel: +7 495 645-2156  
parker.russia@parker.com

**SE – Sweden,** Spånga

Tel: +46 (0)8 59 79 50 00  
parker.sweden@parker.com

**SK – Slovakia,** Banská Bystrica

Tel: +421 484 162 252  
parker.slovakia@parker.com

**SL – Slovenia,** Novo Mesto

Tel: +386 7 337 6650  
parker.slovenia@parker.com

**TR – Turkey,** Istanbul

Tel: +90 216 4997081  
parker.turkey@parker.com

**UA – Ukraine,** Kiev

Tel: +380 44 494 2731  
parker.ukraine@parker.com

**UK – United Kingdom,** Warwick

Tel: +44 (0)1926 317 878  
parker.uk@parker.com

**ZA – South Africa,** Kempton Park

Tel: +27 (0)11 961 0700  
parker.southafrica@parker.com

## North America

**CA – Canada,** Milton, Ontario

Tel: +1 905 693 3000

**US – USA,** Cleveland

Tel: +1 216 896 3000

## Asia Pacific

**AU – Australia,** Castle Hill

Tel: +61 (0)2-9634 7777

**CN – China,** Shanghai

Tel: +86 21 2899 5000

**HK – Hong Kong**

Tel: +852 2428 8008

**IN – India,** Mumbai

Tel: +91 22 6513 7081-85

**JP – Japan,** Tokyo

Tel: +81 (0)3 6408 3901

**KR – South Korea,** Seoul

Tel: +82 2 559 0400

**MY – Malaysia,** Shah Alam

Tel: +60 3 7849 0800

**NZ – New Zealand,** Mt Wellington

Tel: +64 9 574 1744

**SG – Singapore**

Tel: +65 6887 6300

**TH – Thailand,** Bangkok

Tel: +662 186 7000-99

**TW – Taiwan,** Taipei

Tel: +886 2 2298 8987

## South America

**AR – Argentina,** Buenos Aires

Tel: +54 3327 44 4129

**BR – Brazil,** Sao Jose dos Campos

Tel: +55 800 727 5374

**CL – Chile,** Santiago

Tel: +56 2 623 1216

**MX – Mexico,** Apodaca

Tel: +52 81 8156 6000

### EMEA Product Information Centre

Free phone: 00 800 27 27 5374

(from AT, BE, CH, CZ, DE, DK, EE, ES, FI, FR, IE, IL, IS, IT, LU, MT, NL, NO, PL, PT, RU, SE, SK, UK, ZA)

### US Product Information Centre

Toll-free number: 1-800-27 27 537

